

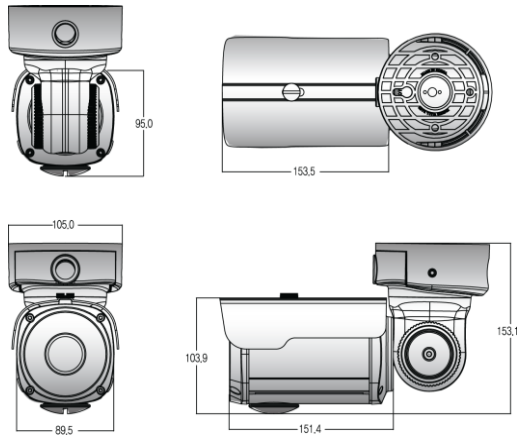
8MP (4K)

ADVANCED IR LED BULLET CAMERA

4K UHD (3840x2160) / 1/2.6 inch 10Mega pixel CMOS image sensor
 IR LED 12 pcs / Upgraded Waterproof Housing (IP 68 rating)
 DNR (Digital Noise Reduction) / WDR (Wide Dynamic Range) / Privacy zone
 Built-in Motion detections / Day/Night switch / Easy Installation
 ICR V/F lens, DC Auto IRIS V/F Lens, DC Auto IRIS & TDN V/F Lens
 (Focal Length : 5.0 mm)



DOME DIMENSIONS (mm)



Specification	NIR P8362-B50
Image Sensor	1/2.6 inch 10Mega pixel CMOS image sensor
Hardware	32bit Embedded CPU GM8139SF, Flash 256Mbytes /SDRAM: 512Mbytes Linux version 3.3.0 operating system
Video compression	H.264, Motion JPEG
Frame rate	Primary upto max 15fps @ 4K UHD
Video Streaming	Motion JPEG and H.264 Triple Streaming (Simultaneously) Independently Controllable frame rate and bandwidth
Time Stamp	Supported (Date/Time Only) in primary stream
Image setting	Compression levels: 6 level Color: Grey
LAN interface	10/100BaseT Ethernet auto sensing
Advanced Service	Up to 5.6M memory for Pre/Post alarm buffer E-Mail, FTP, IP notification, Alarm Notification to e-mail, CGI Call by event or schedule
Built-in Motion detections	Accuracy: 12x12=144 blocks Motion Sensitivity : -100 ~ 100 : 100 is hypersensitive
Privacy zone	Upto 8 zones
PWR Consumption	Max. DC 3.3 Volt max 1200±100 mA, average 840±50 mA
Operating Environment	Temperature : 32° ~ 122°F (0° ~ 50°C), Humidity : 20 ~ 80% RH(non-condensing)
Simultaneous clients	Live-cast for up to 16 clients
Video access	Video access from Web browser
Developer support	Provides HTTP CGI API, ActiveX control development kit
System integration support	Powerful API for software integration available at http://www.flexwatch.com , including Simple Viewer API, FlexWATCH Control SDK, event trigger data in video stream, embedded scripting and access to serial port peripherals over HTTP/TCP User can be installed user program daemon for event notification or sending image.
Supported protocols	HTTP, RTP/RTSP(Uni/Multicast), TCP/IP(v4/v6), UDP, FTP, Telnet, HTTPS, RARP, PPPoE, SNMP, PAP, CHAP, DHCP, NTP, SMTP client, uPnP & etc